



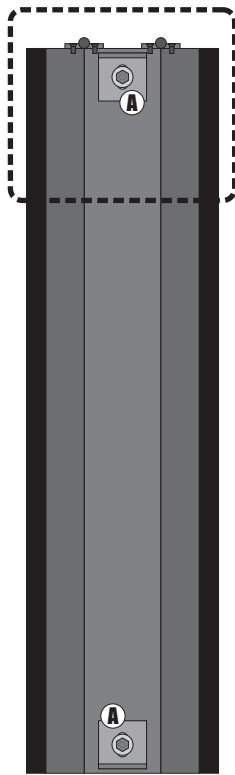
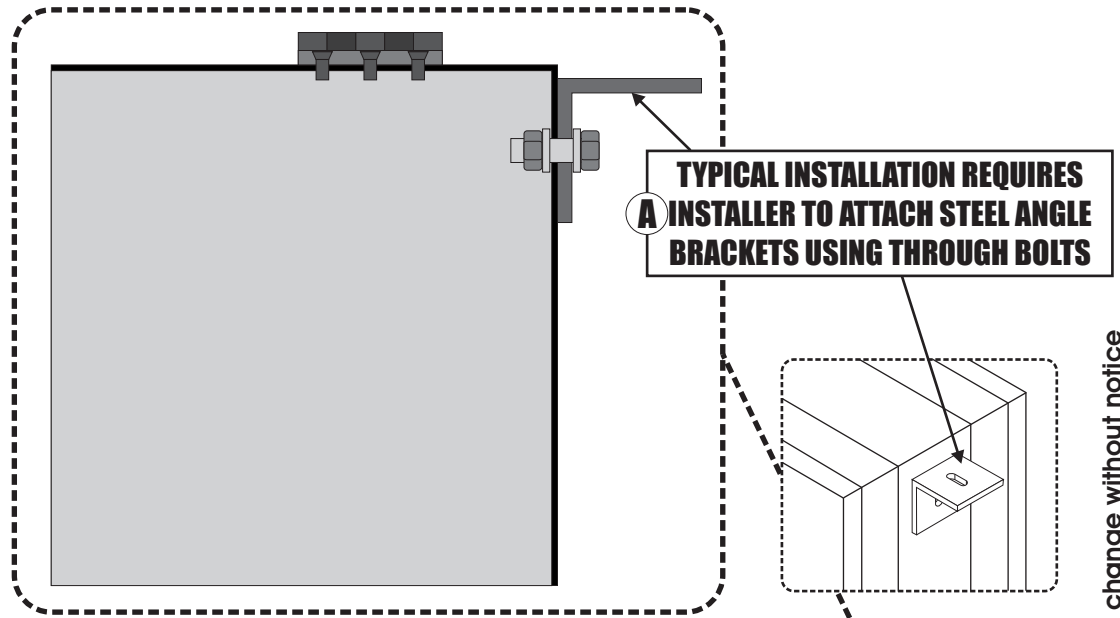
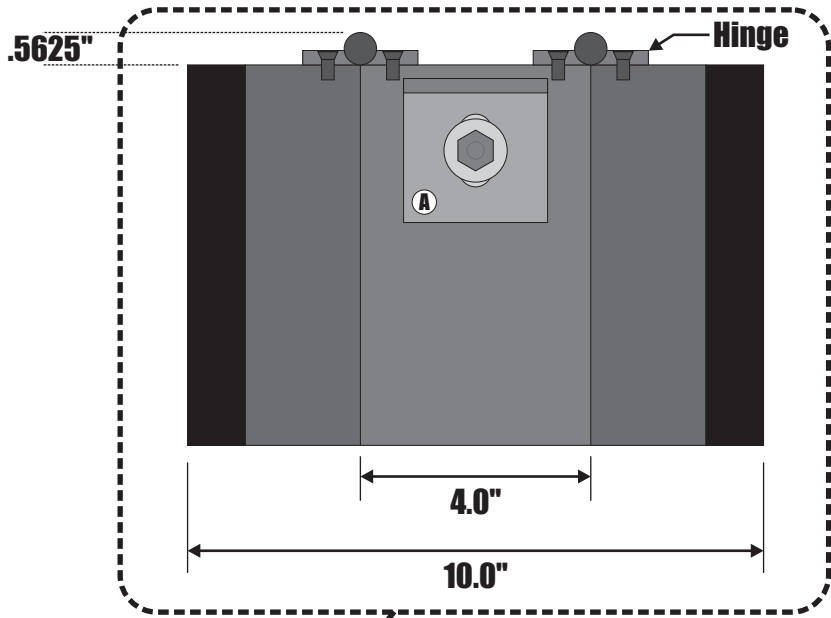
side view



front view



Note: Engineering and Fabrication details may change without notice

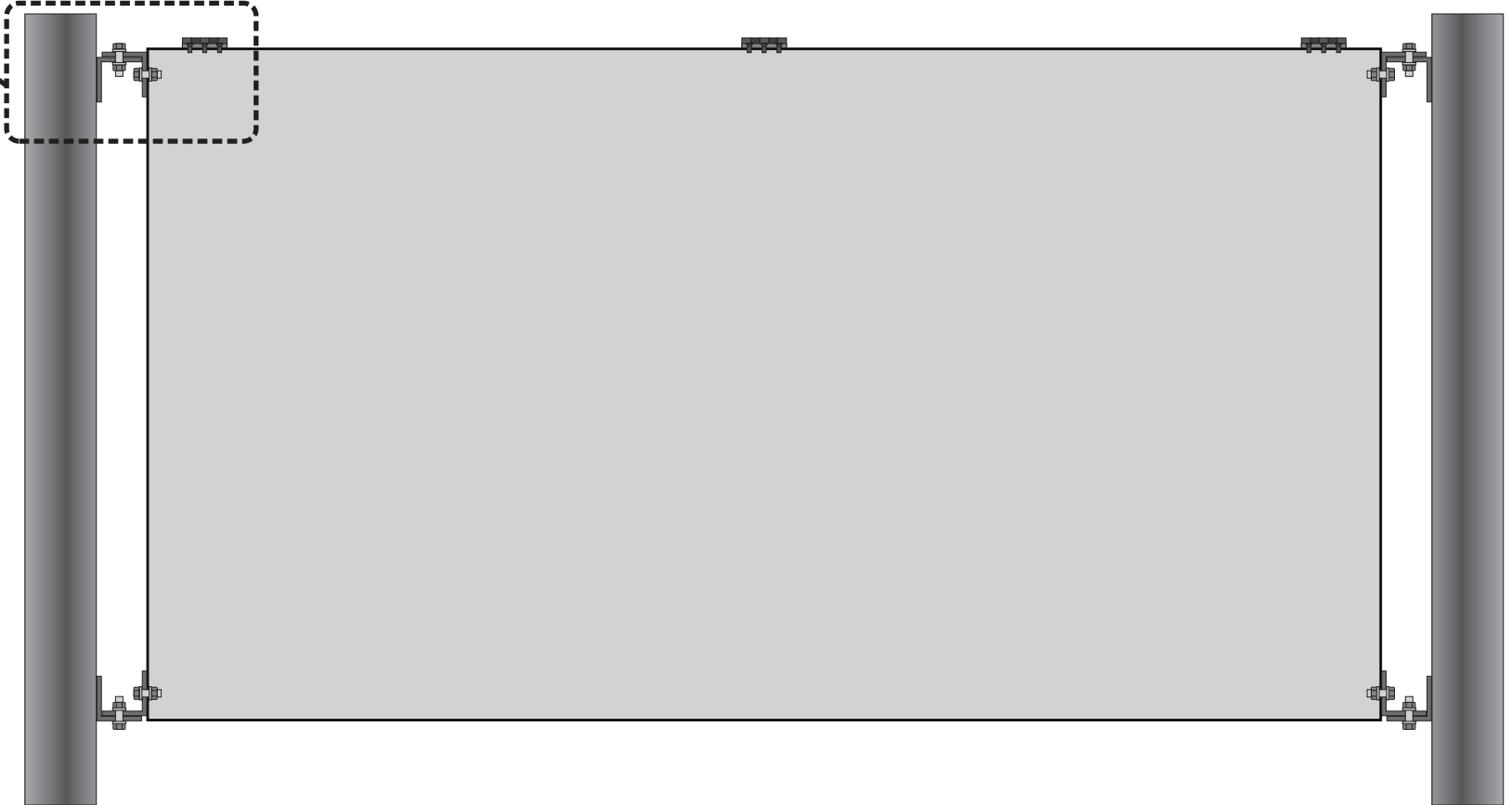
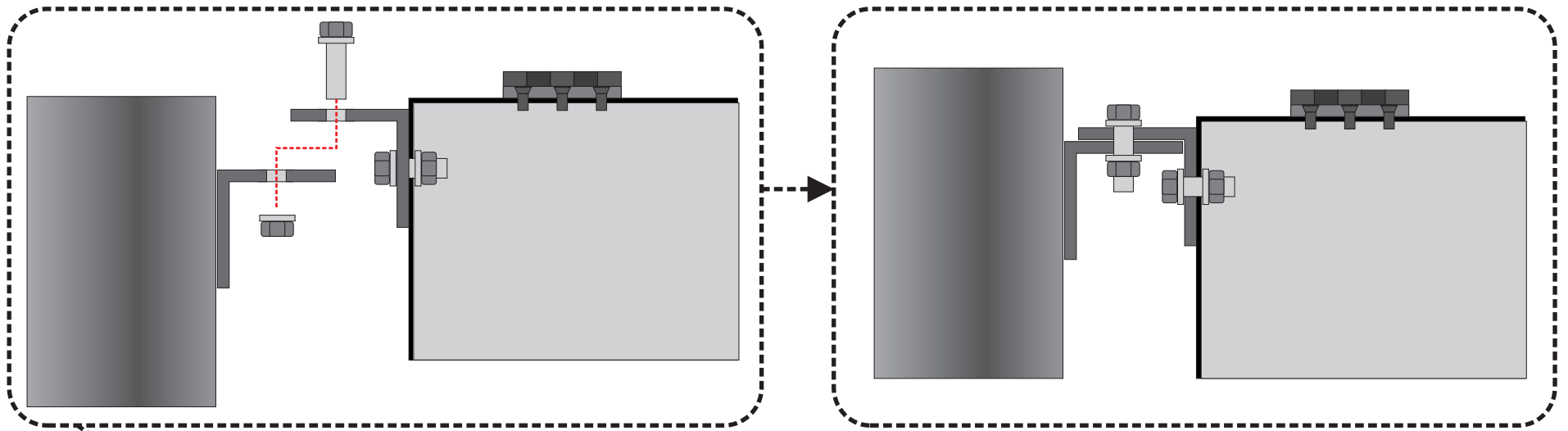


Note: Engineering and Fabrication details may change without notice

side view

front view





Note: Engineering and Fabrication details may change without notice

front view

